



Back View

Vehicle Camera



NEW 2012 APR. V1.0



Mobile Surveillance

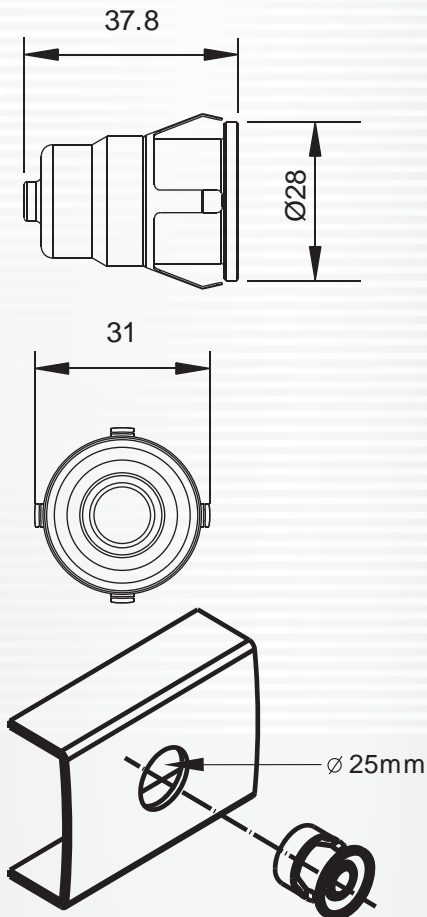
AVM-730BV

- 1/4" CCD.
- Horizontal Resolution Max. 420 TV Lines,
- Lens 1.92mm
- Sensitivity 0.12Lux
- View Angle: H:110° V:80° D:136°
- For Back-draft · Mirroring.

AVM-730BV

Back View Vehicle Camera

DIMENSION UNT:mm

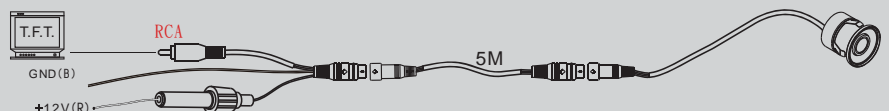


SPECIFICATIONS

Type	NTSC	PAL
Pick Up	1/4 Inch Inter Line Transfer CCD	
Image Signal Process	Digital Signal Processing System	
Number Of Pixel	510(H)×492(V)	512(H)×582(V)
Picture Elements	NTSC:Approximately 250K	
	PAL:Approximately 290K	
Horizontal Resolution	Max 420 TV Lines	
Sync System	Internal	
Scanning System	2 : 1 Interlace	
Sensitivity	0.12 LUX	
S/n Ratio	Max 48 dB	
Auto Gain Control	Yes	
Mirroring	Yes	
White Balance	Auto	
Electronic Shutter	NTSC:AUTO: 1/60 S TO 1/100,000 S	
	PAL:AUTO: 1/50 S TO 1/100,000 S	
Video Output Signal	1 Vp-p Composite Video Output, 75 Ohms	
Power Supply	DC 5.5V~14.5V	
Power Consumption	120mA / 5.5V~50mA / 14.5V	
Lens	1.92mm	
View Angle	H : 110° V : 80° Diagonal :136°	
Operating Temperature	-30° C ~ +75° C	
Dimensions	Diameter : 28mm L : 37.8mm	
Weight	About : 66g	

★Version updating is not going to inform, please check the on-going updating information

CONFIGURATION



■ DISTRIBUTED BY

TIPRONET
mobile logistic location