



## View / Back View

### Vehicle Camera



**NEW** 2012 OCT. V1.0



**AVM-737A** (View Type)

**AVM-737A-BV** (Back View Type)

- 1/4" CCD.
- Horizontal Resolution Max. 420 TV Lines
- Lens 4.0mm
- Sensitivity 0.12Lux
- View Angle: H:66° V:52°
- For Back-draft · Mirroring. (AVM-737A-BV)

# AVM-737A / AVM-737A-BV

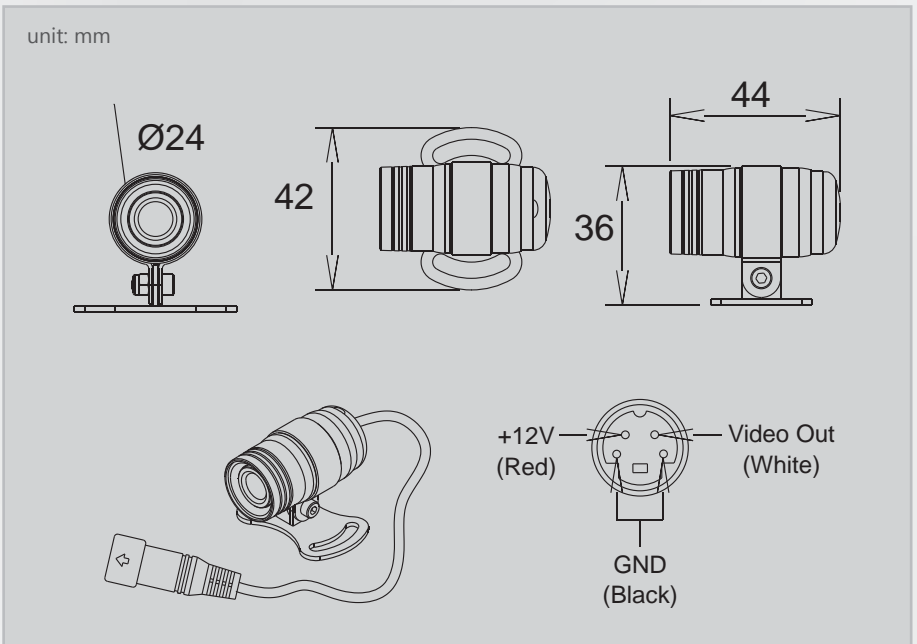
View / Back View Vehicle Camera



## SPECIFICATIONS

| Type                  | NTSC                                   | PAL                |
|-----------------------|----------------------------------------|--------------------|
| Pick Up               | 1/4 Inch CCD Image Sensor              |                    |
| Image Signal Process  | Digital Signal Processing System       |                    |
| Number Of Pixel       | 510(H)×492(V)                          | 512(H)×582(V)(V)   |
| Picture Elements      | Approximately 250K                     | Approximately 290K |
| Horizontal Resolution | 420 TV Lines                           |                    |
| Sync System           | Internal                               |                    |
| Scanning System       | 2 : 1 Interlace                        |                    |
| Sensitivity           | 0.12 LUX                               |                    |
| S/N Ratio             | Max. 48 dB                             |                    |
| Auto Gain Control     | Yes                                    |                    |
| Mirroring             | Yes (AVM-737A-BV)                      |                    |
| White Balance         | Auto                                   |                    |
| Electronic Shutter    | NTSC:AUTO: 1/60 S TO 1/100,000 S       |                    |
|                       | PAL:AUTO: 1/50 S TO 1/100,000 S        |                    |
| Video Output Signal   | 1 Vp-p Composite Video Output, 75 Ohms |                    |
| Power Supply          | DC5.5V~14.5V                           |                    |
| Power Consumption     | 120mA/5.5V~50mA/14.5V                  |                    |
| Lens                  | 4.0 mm                                 |                    |
| View Angle            | H : 66° V : 52°                        |                    |
| Operating Temperature | -30°C ~ +75°C                          |                    |
| Dimensions            | Ø24mm x 36mm x44mm                     |                    |
| Tilt(1)               | Max : 80°                              |                    |
| Rotation(2)           | 360°                                   |                    |
| Pan(3)                | Max : 60°                              |                    |
| Weight                | About : 66g                            |                    |

★Version updating is not going to inform, please check the on-going updating information



■ DISTRIBUTED BY

