



## View / Back View

### Vehicle Camera



#### Mobile Surveillance

### **AVM-737B/AVM-737B-BV**

**NEW** 2014 JAN. V1.0



1/4" CCD



LENS  
1.8mm



0.12  
Lux



420TVL



DC  
5.5~14.5V



125°



MIRROR  
AVM-737B-BV

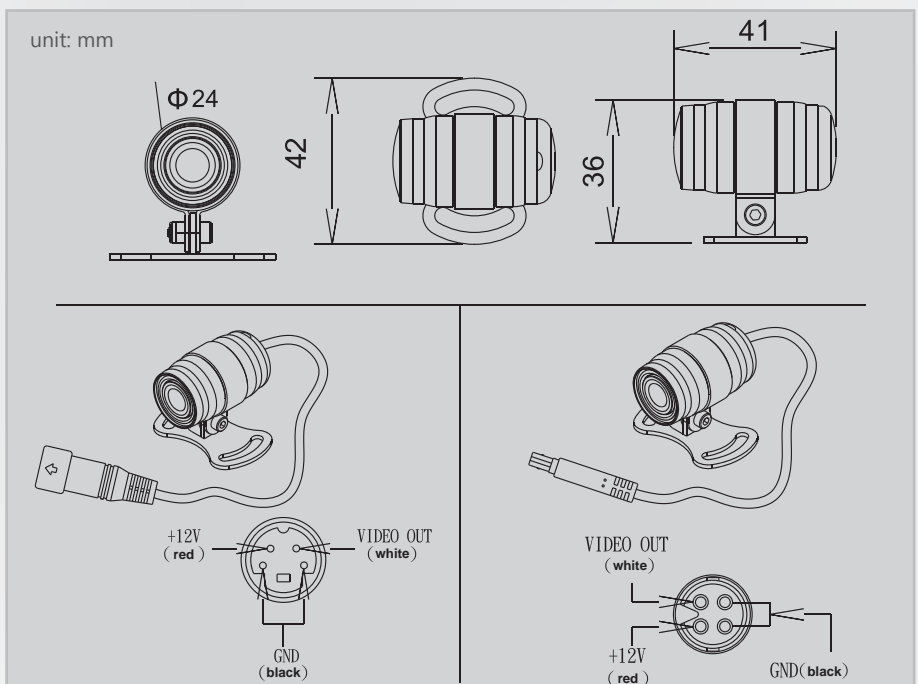
- 1/4" CCD.
- Horizontal Resolution Max. 420 TV Lines
- Lens 1.8mm
- Sensitivity 0.12Lux
- View Angle: H:125° V:103° D:170°
- For Back-draft · Mirroring. (AVM-737B-BV)

**AVM-737B/AVM-737B-BV**

## SPECIFICATIONS

Type	NTSC	PAL
Pick Up	1/4 Inch CCD Image Sensor	
Image Signal Process	Digital Signal Processing System	
Number Of Pixel	510(H)×492(V)	512(H)×582(V)
Picture Elements	Approximately 250K	Approximately 290K
Horizontal Resolution	420 TV Lines	
Sync System	Internal	
Scanning System	2 : 1 Interlace	
Sensitivity	0.12 LUX	
S/N Ratio	Max. 48 dB	
Auto Gain Control	Yes	
Mirroring	Yes (AVM-737B-BV)	
White Balance	Auto	
Electronic Shutter	NTSC:AUTO: 1/60 S TO 1/100,000 S	
	PAL:AUTO: 1/50 S TO 1/100,000 S	
Video Output Signal	1 Vp-p Composite Video Output, 75 Ohms	
Power Supply	DC5.5V~14.5V	
Power Consumption	120mA/5.5V~50mA/14.5V	
Lens	1.8mm	
View Angle	H : 125° V : 103° Diagonal :170°	
Operating Temperature	-30°C ~ +75°C	
Dimensions	ø24mm x 36mm x41mm	
Tilt(1)	Max : 80°	
Rotation(2)	360°	
Pan(3)	Max : 60°	
Weight	About : 148.8g	

★Version updating is not going to inform, please check the on-going updating information



■ DISTRIBUTED BY

