



View / Back View

Vehicle Camera



Mobile Surveillance

AVM-737/AVM-737BV

NEW 2012 AUG. V2.0



- 1/4" CCD.
- Horizontal Resolution Max. 420 TV Lines
- Lens 1.7mm
- Sensitivity 0.12Lux
- View Angle: H:125° V:103° D:170°
- For Back-draft · Mirroring. (AVM-737BV)

AVM-737 / AVM-737BV

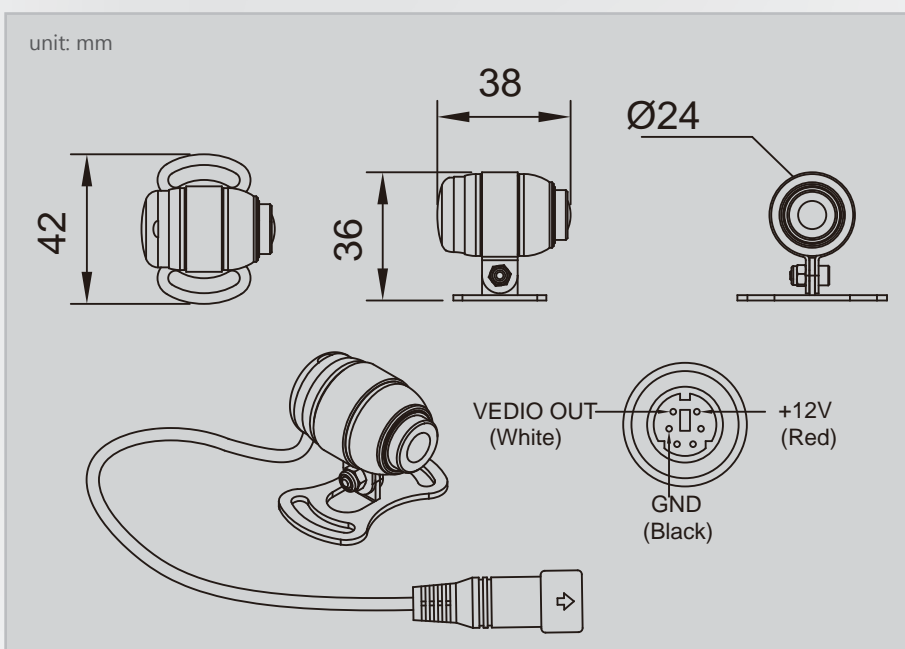
View / Back View
Vehicle Camera



SPECIFICATIONS

Type	NTSC	PAL
Pick Up	1/4 Inch CCD Image Sensor	
Image Signal Process	Digital Signal Processing System	
Number Of Pixel	510(H)×492(V)	512(H)×582(V)(V)
Picture Elements	Approximately 250K	Approximately 290K
Horizontal Resolution	420 TV Lines	
Sync System	Internal	
Scanning System	2 : 1 Interlace	
Sensitivity	0.12 LUX	
S/N Ratio	Max. 48 dB	
Auto Gain Control	Yes	
Mirroring	Yes (AVM-737BV)	
White Balance	Auto	
Electronic Shutter	NTSC:AUTO: 1/60 S TO 1/100,000 S PAL:AUTO: 1/50 S TO 1/100,000 S	
Video Output Signal	1 Vp-p Composite Video Output, 75 Ohms	
Power Supply	DC5.5V~14.5V	
Power Consumption	120mA/5.5V~50mA/14.5V	
Lens	1.7mm	
View Angle	H : 125° V : 103° Diagonal :170°	
Operating Temperature	-30°C ~ +75°C	
Dimensions	38mm x 36mm x42mm	
Tilt(1)	Max : 80°	
Rotation(2)	360°	
Pan(3)	Max : 60°	
Weight	About : 66g	

★Version updating is not going to inform, please check the on-going updating information



■ DISTRIBUTED BY

