



## View / Back View

### Vehicle Camera



**NEW** 2012 MAY. V1.0



1/3" CCD



LENS  
4 mm



0.01  
Lux



420TVL



DC 12V



MIRROR

optional

## Mobile Surveillance **AVM-750**

- 1/3" CCD
- Horizontal Resolution Max. 420 TV Lines
- Lens Mount: 4mm
- The camera is not waterproof. Indoor Installation Only.
- For Back-draft • Mirroring. (optional)





# AVM-750

View / Back View Vehicle Camera

## SPECIFICATIONS

VIDEO SYSTEM	NTSC	PAL
PICK UP ELEMENT	1/3 Inch CCD Image Sensor	
IMAGE SIGNAL PROCESS	DIGITAL SIGNAL PROCESSING SYSTEM	
LENS	4mm LENS	
NUMBER OF PIXEL	510 (H) × 492 (V)	512 (H) × 582 (V)
PICTURE ELEMENTS	Approximately 250K	Approximately 290K
HORIZONTAL RESOLUTION	420 TV LINES	
POWER SUPPLY	DC 12 ± 1V	
POWER CONSUMPTION	80mA	
SYNCHRONIZATION	Internal	
SCANNING SYSTEM	2 : 1 INTERLACE	
SENSITIVITY	0.01 LUX	
S/N RATIO	Max 48 dB	
AUTO ELECTRONIC IRIS	Automatically	
BACK LIGHT COMPENSATION	YES	
AUTO GAIN CONTROL	Automatically	
OUTPUT	1 Vp-p COMPOSITE VIDEO OUTPUT, 75 OHMS	
OPERATING TEMPERATURE	- 10° C ~ + 60° C	
DIMENSIONS (W × D × H )	32 × 52 × 59 mm	
WEIGHT	About 50g	

\*Version updating is not going to inform, please check the on-going updating information

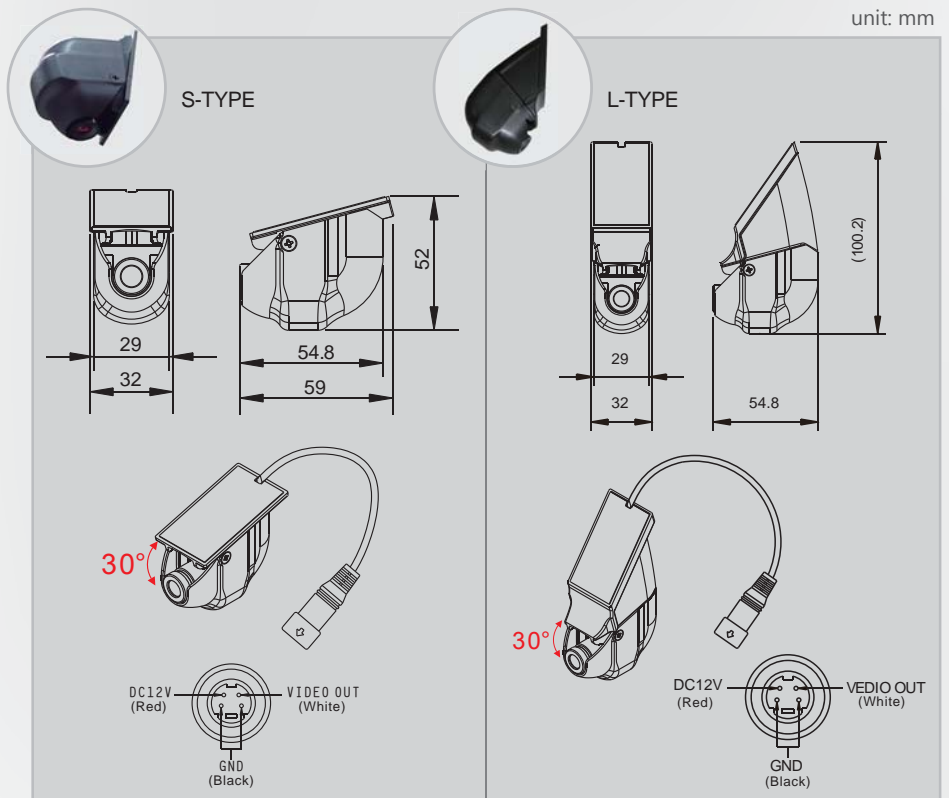
Classification	Appropriate Vehicle Types
 S-TYPE	 Suitable for slanting wind shield of vehicles, eg. Taxi cab, Police car, Van, Sedan, MPV, SUV, SUT, Recreation Vehicle
 L-TYPE	 Suitable for upright wind shield of vehicles, eg. Truck, Bus, Pickup, Trailer

### Installation

Front windshield



Back windshield



■ DISTRIBUTED BY

