



Vehicle View IR Camera



NEW 2012 SEB. V2.0



AVM-951H

- 1/3" CCD
- High Horizontal Resolution Max. 520 TV Lines
- Lens Mount: 4mm
- Waterproof.
- 6PCS LEDS, Good Night Time Image, IR Distance 3M

AVM-951H Vehicle View IR Camera

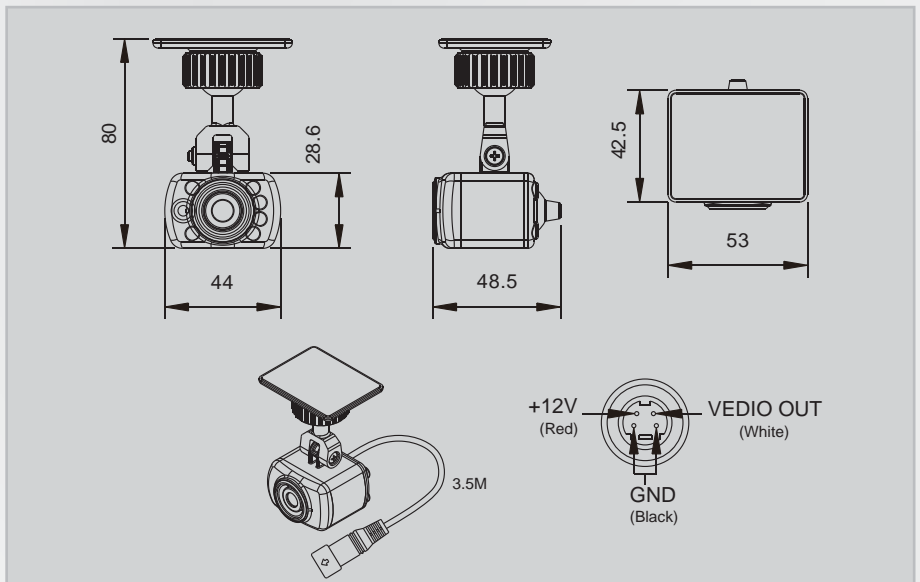


SPECIFICATIONS

MODE	NTSC	PAL
PICK UP ELEMENT	1/3 Inch CCD Image Sensor	
IMAGE SIGNAL PROCESS	Digital Signal Processing System	
NUMBER OF PIXEL	768 (H) × 494 (V)	752 (H) × 582 (V)
PICTURE ELEMENTS	Approximately 380K	Approximately 440K
HORIZONTAL RESOLUTION	Approximately 520 TV Lines	
POWER SUPPLY	DC 12 ± 1V	
CURRENT CONSUMPTION	80mA(IR OFF) / 150mA(IR ON)	
SYNCHRONIZATION	Internal	
SCANNING SYSTEM	2 : 1 Interlace	
SENSITIVITY	0 LUX(IR ON)	
S/N RATIO	Max 48 dB	
AUTO ELECTRONIC IRIS	Automatically	
BACK LIGHT COMPENSATION	YES	
AUTO GAIN CONTROL	Automatically	
ELECTRONIC SHUTTER	NTSC: AUTO: 1/60S TO 1/100,000 S PAL: AUTO: 1/50 S TO 1/100,000 S	
OUTPUT	1 Vp-p Composite Video Output, 75 Ohms	
LENS MOUNT	LENS	
IR LEDs	6 PCS	
IR RANGE	3m	
IR WAVELENGTH	850 nm	
WEATHERPROOF STANDER	IP66	
OPERATING TEMPERATURE	- 10°C ~ +60°C	
DIMENSIONS	44mmx80mmx48.5mm (WxDxH)	
WEIGHT	About 170g (N.W)	

★Version updating is not going to inform, please check the on-going updating information

DIMENSION unit: mm



■ DISTRIBUTED BY

