



Mini 2CH Mobile DVR System with built-in 3 Inch LCD Monitor



NEW 2012 JUL. V1.0



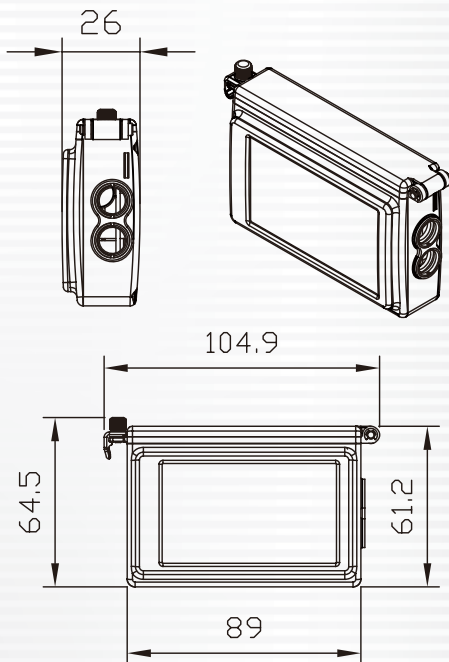
Vehicle Surveillance **VVH-MDE09**

- Appropriate for scooters, motorcycles, and vehicles.
- Solid aluminum alloy casing with waterproof ability.
- Support 2CH video recording and external microphone for simultaneous audio recording.
- Built-in 3 Inch LCD monitor for instant view angle adjustment and video playback.
- New H.264 compression technology and real-time D1 recording.
- Supports up to 32GB SD Card (Recommendation: Class 10).
- No built-in lithium battery design. Low power consumption and excellent heat dissipation. Ideal for high temperature environment and worry-free from battery explosion.
- Automatic startup recording when power on and continuous recording until power is off.
- Adjustable G-Sensor sensitivity according to different road status. Smart G-sensor recording starts up when detects strong shock and keeps your important recorded files from overwritten .
- Support GPS mouse (optional) to record the coordinates. When playback, you can trace your driving route on Google Map.

VVH-MDE09 Mini 2CH mobile DVR system with built-in 3 Inch LCD Monitor



Product Dimension Unit: mm



Cable Installing Instruction



1. Power
2. Video Input 1
3. Video Input 2
4. Microphone
5. GPS

Specifications

Video Input	Max. 2CH Video Input	
Compression Format	H.264 Technology	
Record Res	NTSC D1 30fps / PAL D1 25fps	
Voltage	DC12V / 250mA	
Operation Temp	-15°C~+65°C	
Storage Device	Class 10 SDHC Card of SanDisk or Transcend, (at least 4Gb)	
Record Mode	Auto Record after Power on	
Record Content	Date / Time / Video / Voice / G-Sensor / GPS Logger (Optional)	
File Format	Specific format for software player	
Microphone	External MIC (W/O Waterproof) (Optional)	
Time Setup	Auto-calibrating by GPS signals. If GPS is not available, the built-in clock will be used	
G-Sensor	Internal 3D G-Sensor	
Casing material	Aluminum alloy	
Weight	DVR About 185g	
Dimension	104.9mm x 64.5mm x 26mm (W x D x H)	
Accessory	Standard	(a)Power core(b)SD Card Reader (c)Remote Control (d)Driver CD
	Optional	(a)4/8/16/32G Class10 or above SD Card. (b)External GPS Mouse (c)Microphone

★ Version updating is not going to inform, please check the on-going updating information

Motorcycle Management System



■ DISTRIBUTED BY



Please consult a professional engineer to install this device to prevent any damage.
Caution!: Before installation, please make sure all the power systems are turned off.
Caution!: For installation, please avoid positions where gasoline pipelines and oil tank are to prevent danger.

